

HZ140RT/140JRT

SELF-PROPELLED ARTICULATED BOOMS

Mantall®



Standard Features

- Self-levelling platform
- Hydraulic rotation platform
- Hall effect fully proportional controls
- Driving confirm
- AC wiring to platform
- Horn
- Hour meter
- Tilt alarm
- Positive traction drive
- Dual Speed motor
- Emergency pump
- CAN intelligent control
- Overload Sensor

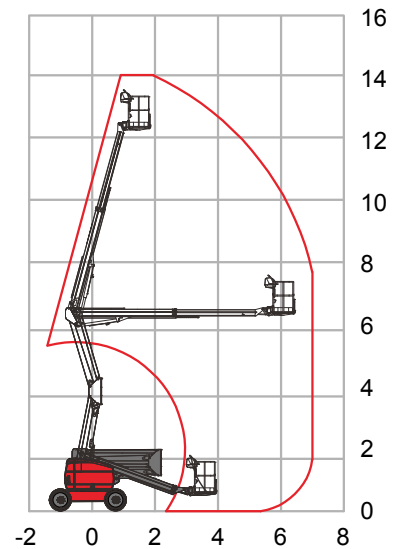
Options Features

- 2.4m platform
- Platform swing gate
- Platform alternate leverage
- Airline to platform
- Hydraulic oil cooler
- Hostile environment packages
- Anti-crash air packages
- Tool tray
- Alarm packages
- Platform work lights

HZ140RT/140JRT

MODEL	HZ140RT	HZ140JRT
Max. Working height	14 m	
Max. Platform height	12 m	
Max. Outreach	7.01 m	7.08 m
Max. Up and over clearance	6.27 m	6.5 m
Max. Lift capacity	230 kg	
Platform size B x C x A	1.8 x 0.76 x 1.17 m	
Height - stowed D	2.3 m	
Length - stowed E	5.63 m	6.58 m
Width F	2.00 m	
Wheelbase G	2.00 m	
Ground clearance H	0.36 m	
Turntable rotation	360° discontinuously	
Turntable tailswing	0	
Platform rotation	0 / 180°	
Jib Swing	0/140°(HZ140JRT only)	
Platform Level	Hydraulic level	
Drive speed - stowed	3.0km/h (7.0km/h 4wd)	
Drive speed - raised	1.0km/h	
Gradeability	30% (45%4WD)	
Max. tilt angle	3°	
Max. lateral force N	400 N	
Max. Wind speed allowed	12.5 m/s	
Min. Turning radius-(inside)	2.30 m	
Min. Turning radius-(outside)	4.0 m	
Drive wheels number	2 / 4 WD	
Steering wheel number	2	
Controls	Electrical proportional control	
System voltage	DC 12V	
Hydraulic tank capacity	70 L	
Fuel tank capacity	65 L	
Tire size	33 x 12 - 20	
Power	Perkins 404D Diesel Engine	
Total weight	5.6 t	6.3 t

Range of motion HZ140RT



Range of motion HZ140JRT

